

8. Attach the cover/light fixture (4)(5) to the switch housing (1) using the two screws (2) that were removed in Step 2 (Figure 4). Position the cover on the switch housing so that the hole in the bowl cap is closest to the fan switch chain. After the cover is installed, rotate the bowl cap slightly to align the hole under the fan switch chain.

5. Pass the chain from the fan switch through the hole in the guide plate (6) and glass cover (A) (8). Slide the guide plate over the 1/2" threaded nipple (4) and hold it against the bottom of the shade.

**NOTE: Do not allow the fan switch chain to touch the light bulbs. If necessary, slightly rotate the bowl cap to clear the bulbs.**

6. Guide the light switch chain through the hole in the bottom nut (10) and screw the bottom nut onto the 1/2" threaded nipple (4) finger tight.

**CAUTION: NEVER USE PLIERS TO TIGHTEN BOTTOM NUT AGAINST THE GLASS SHADE. A BROKEN OR DAMAGED SHADE WILL MOST SURELY RESULT.**

7. Attach the chain extension (11) (supplied) to the light kit switch chain. Attach the chain extension (supplied with the fan) to the fan switch chain.

8. Turn on power at the main fuse or circuit breaker box.

**NOTE: It is advisable to periodically check the tightness of the bottom nut. Fan operation may loosen the nut.**

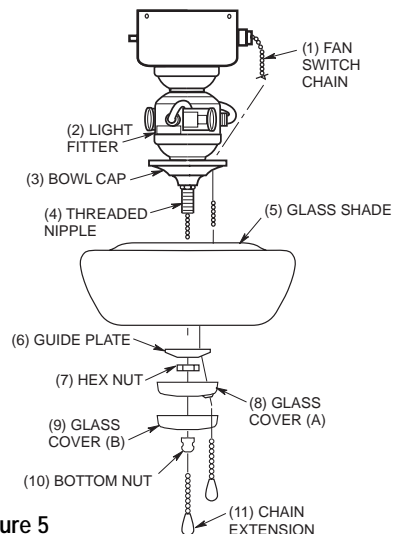


Figure 5

9. Pass the fan switch chain through the hole in the bowl cap. Proceed to "Installation of Glass Shade" section.

### Installation of Glass Shade (Figure 5)

**WARNING**  
To avoid fire hazard, do not exceed wattage indicated on the fixture.

1. Install a 60-watt (maximum) candelabra base light bulb (not included) into each of the three light fixture sockets (2) .
2. Install the shade (5) by placing it against the bottom of the bowl cap (3). Position the guide plate (6) with the lip facing up tighten the hex nut (7).
3. If installing the light fixture for a two pull chain operation; fan and light fixture pull chain, slide the glass cover (A) (8) over the guide plate.
4. If installing the light fixture for a one pull chain operation; light fixture pull chain only, slide the glass cover (B) (9) over the guide plate. The fan switch chain (1) must be shortened to hang above the light fitter (2).



**EMERSON**

Air Comfort Products

DIVISION OF EMERSON ELECTRIC CO.

Part No. BP7131-3  
Form No. F40BP71310003

8100 W. Florissant • St. Louis, MO 63136

Printed in China 06/07

# READ AND SAVE THESE INSTRUCTIONS

## THIS OWNER'S MANUAL COVERS EMERSON LIGHT KITS

### USE THESE FIXTURES ONLY WITH EMERSON CF SERIES CEILING FANS.

**NOTE: ANY LIGHT KIT OR FITTER AND GLASS COMBINATION COVERED BY THIS MANUAL WEIGHS 5.8 LBS. OR LESS.**



## Ceiling Fan Light Fixture EMERSON Owner's Manual

### LIMITED WARRANTY

**What The Warranty Covers:**

All products covered by this Owner's Manual are warranted against all defects in workmanship and materials. You must be the original purchaser or user of the product to be covered.

**What The Period Of Coverage Is:**

All components are covered by this warranty for one year from the date you purchased your light fixture. ANY IMPLIED WARRANTY OF MERCHANTABILITY OR FITNESS FOR A PARTICULAR PURPOSE, MADE WITH RESPECT TO COMPONENTS AND ACCESSORIES IS ALSO LIMITED TO ONE YEAR.

**What Will Emerson Electric Co. Do To Correct Problems:**

Emerson Electric Co. will replace a defective Emerson Light Fixture at no charge to you. **WE WILL SHIP THE REPAIRED PRODUCT OR REPLACEMENT TO YOU AT NO CHARGE, BUT YOU ARE RESPONSIBLE FOR ALL COSTS OF REMOVAL, REINSTALLATION AND SHIPPING OF THE PRODUCT TO EMERSON.**

**How Can You Get Service:**

YOU MUST HAVE PROOF OF YOUR PURCHASE OF THE LIGHT FIXTURE TO OBTAIN LIMITED WARRANTY SERVICE. KEEP YOUR RECEIPT OR OTHER PROOF OF PURCHASE. You can return the product to our factory or to your nearest authorized service center.

- To return the product to the factory, obtain a return authorization and service identification tag by writing to Air Comfort Products, Division of Emerson Electric Co., 8100 W. Florissant Ave., St. Louis, MO 63136. Include all model numbers shown on the product with your request.
- To return the product to an authorized service center, call 1-800-654-3545 for the address of the nearest authorized service center.

You will be responsible for all insurance, freight or other transportation charges to our factory or authorized service center. Your Emerson Light Fixture should be properly packed to avoid damage in transit since we will not be responsible for any such damage.

**What Is Not Covered:**

This warranty also does not cover any defects, malfunctions or failures caused by:

- Repairs by persons not authorized by Emerson Electric Co.,
  - Use of parts or accessories not authorized by Emerson Electric Co.,
  - Mishandling, improper installation, modifications or damage to your light fixture while in your possession, or
  - Unreasonable use, misuse, abuse, including failing to do reasonable and necessary maintenance, and normal wear and tear.
- Additionally, this warranty and any implied warranty of merchantability or fitness for a particular purpose are voided when:
- The original purchaser or user ceases to own the product, or
  - The ceiling fan is moved from its original point of installation.

This warranty is only valid within the 50 states of the United States and the District of Columbia. No other written or oral warranties apply, and no employee, agent, dealer or other person is authorized to give any warranties on behalf of Emerson Electric Co.

REPAIR, REPLACEMENT OR A REFUND ARE THE EXCLUSIVE REMEDIES AVAILABLE UNDER THIS WARRANTY AND EMERSON IS NOT RESPONSIBLE FOR DAMAGES OF ANY KIND, INCLUDING INCIDENTAL AND CONSEQUENTIAL DAMAGES. Incidental damages include but are not limited to such damages as loss of time and loss of use. Consequential damages include but are not limited to the cost of repairing or replacing other property which was damaged if this product does not work properly.

**How State Law Relates To The Warranty:**

Some states do not allow the exclusion or limitation of incidental or consequential damages so the above exclusion or limitation may not apply to you. This warranty gives you specific legal rights, and you may also have other rights which vary from state to state.

